

Our lightweight solution for hand-tracking

The Fingertracking device is an add-on to the ART tracking system, which allows you to track the orientation of the hand and the position of the fingers. It is wireless, works for one as well as for both hands and is available as a three finger version.

With the new FINGERTRACKING2 Tactile device the user is additionally able to sense in his fingertips collisions with virtual objects!

Technical Data

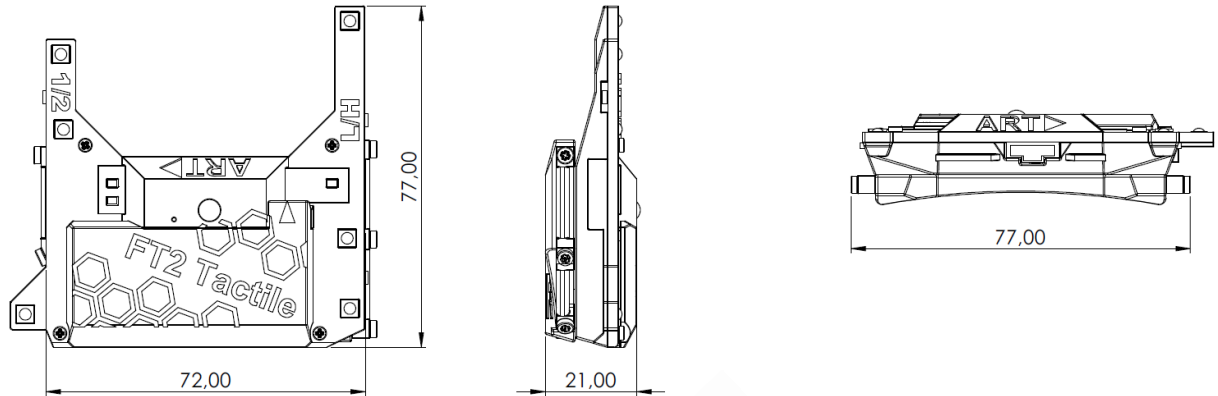
Function	
Synchronization	Via modulated flash from camera
Power Supply	2 x AAA NiMH battery (930 mAH each)
Weight (incl. battery)	115g (incl. 3-finger thimbles)
Performance	
Frame rate (hand target)	depends on camera system, up to 300Hz
Vibro Motor	
Size	2.15 x 8mm precision microdrive at each finger thimble
Special feature	automatic switch off if no signal from backend for more than 1 sec
Radio module*	
Type ID	IEEE 802.15.4
Frequency	ISM frequency range available: 2400.00 – 2483.50 MHz, 8 channels
Transmission power	2.0 mW
Power Supply	
Rechargeable batteries	2 x AAA NiMH battery (930 mAH each)
Continuous operation ¹	approx. 13 hours (with 300 Hz / 30us flash, vibro motor 50% in use)
Battery charging duration	<3h
Battery Charger	
Power Supply	AC: 110-250V, 50/60Hz, max. 10W or DC: 9-12V 1A
Weight (incl. power supply)	202g (without batteries and power cord)

*applicable for tactile version

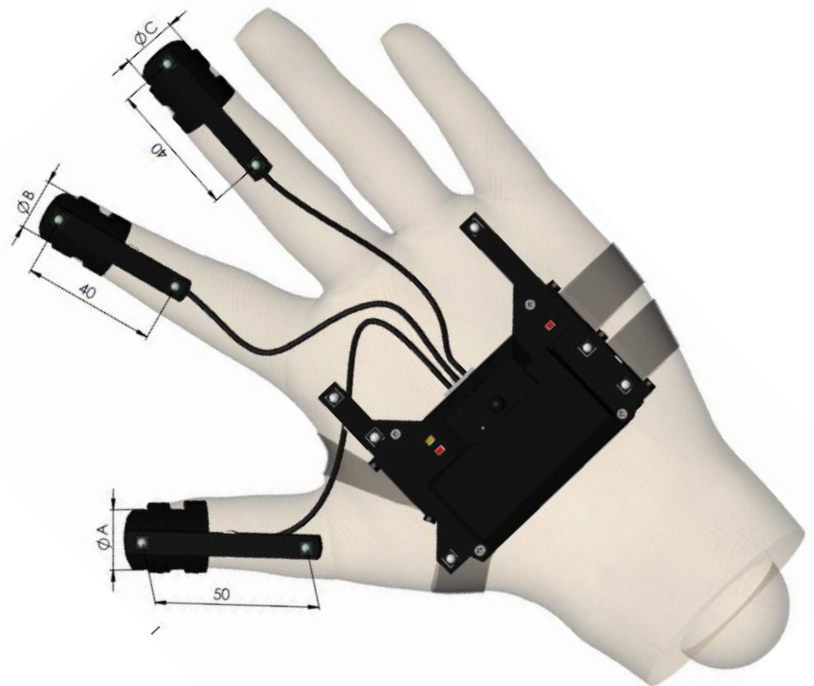
Technical Drawings

all dimensions in [mm] unless otherwise specified

Hand target:



Finger bowls:



Available finger bowl sets:

Set, size (diameter):	Thumb $\varnothing A$,	index finger $\varnothing B$,	middle finger $\varnothing C$
Set XS:	$\varnothing A$ 14mm	$\varnothing B$ 11mm	$\varnothing C$ 12mm
Set S:	$\varnothing A$ 16mm	$\varnothing B$ 13mm	$\varnothing C$ 14mm
Set M:	$\varnothing A$ 18mm	$\varnothing B$ 15mm	$\varnothing C$ 16mm
Set L:	$\varnothing A$ 20mm	$\varnothing B$ 17mm	$\varnothing C$ 18mm