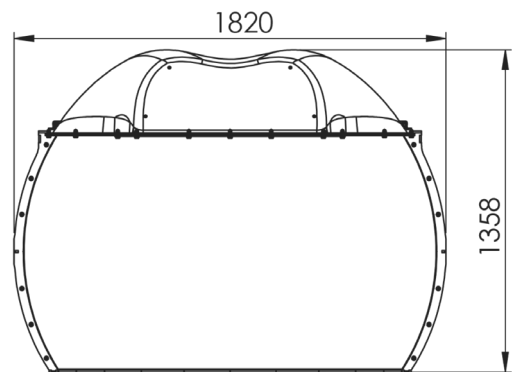
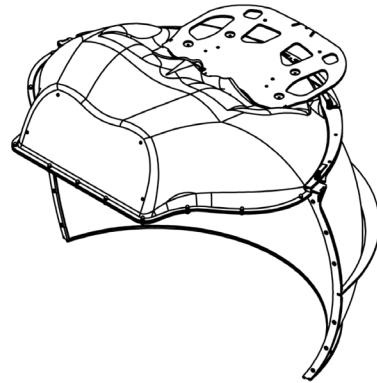


# Cobra150 Venom<sup>®</sup> Datasheet

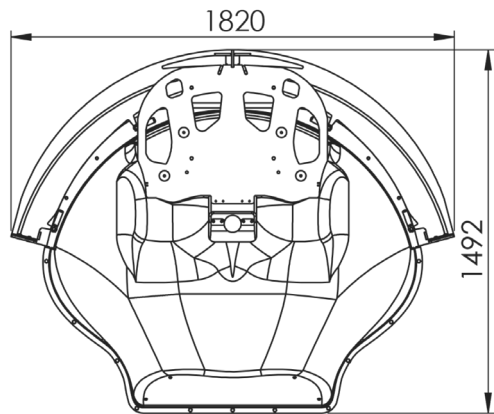
## Technical Specs

Width mm	1820 (71 inches)
Depth mm	1492 (58 inches)
Height mm	1358 (53 inches)
Weight (Unboxed)	57kg (approx.)
Weight (boxed)	110 kg (approx.)
Box Dimensions Road & Sea	L1200 x D1000 x H1985 mm L47 x W39 x H78 inches
Box Dimensions Air Freight	L1850 x D1200 x H1100 mm L78 x D47 x H43 inches
Screen Gain (Approx.)	0.8
Screen Colour	Grey
Horizontal (field of view)	150°
Vertical (field of view)	+/-33° (66°)
Average Resolution (upto)	1.63 arcmin/pix



## OmniFocus Single Channel Optics

Venom	DLP 5000I Laser UHD (Pixel Shift)
Venom Pro	LCOS 1500I Lamp 4K (Native)
Venom Pro Plus	LCOS 1800I Lamp 4K (Native)
Venom 8KX	LCOS 2200I Laser 8K (E-shift X)



## Flight Case Specs

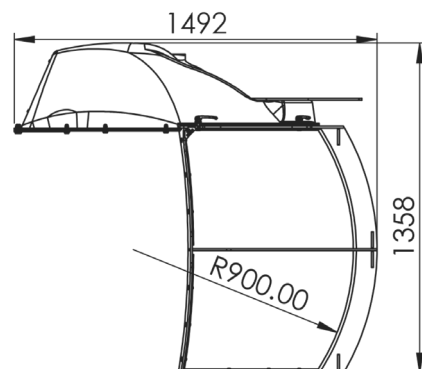
Dimensions Road/ Air & Sea	L1890 x D1320 x H1020 mm L75 x D52 x H41 inches
Weight with Cobra 150 only	197kg (approx.)

## Min Software Requirements

Win10/11	32/64 bit
Direct X	9,10,11,12
Open GL	v2.0 and above
Valid Product Code	1 licence (per seat)

## Nato Stock Number

Product Name	COBRA150VS
NSN	Awaiting Allocation



Cobra Simulation Limited are a NATO registered entity NCAGE Code: U1L53  
 contact.cobra@cobrasimulation.com or +44 (0) 1506 634013