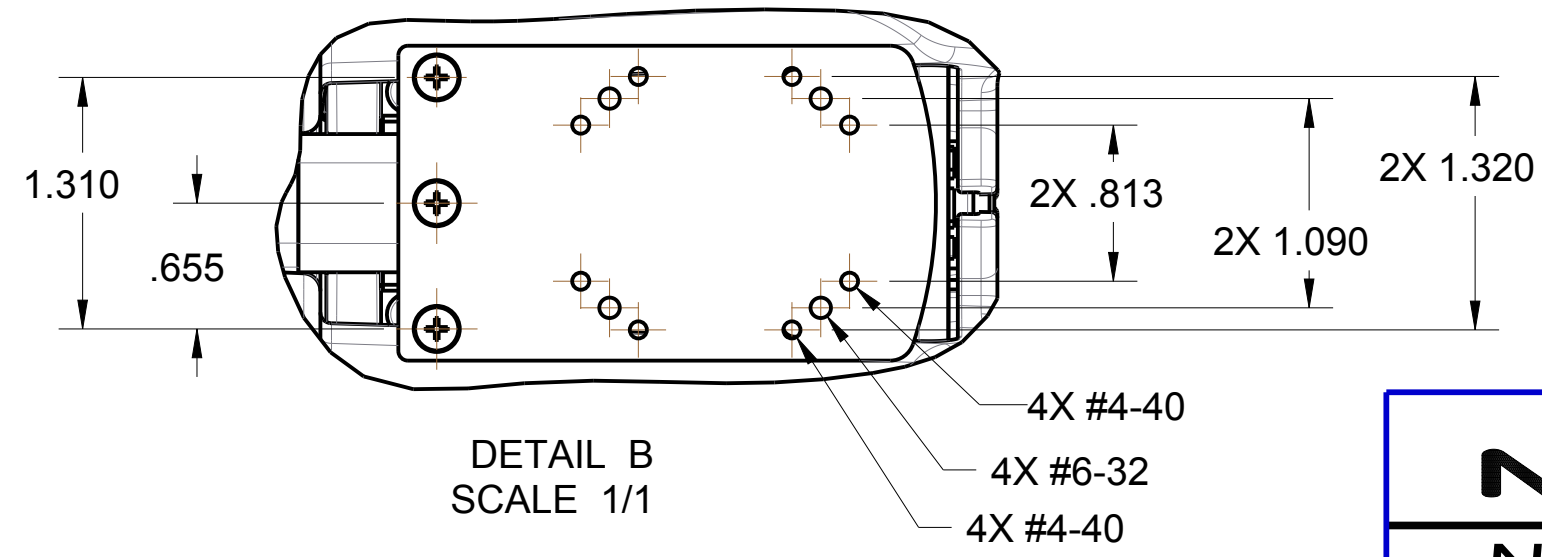
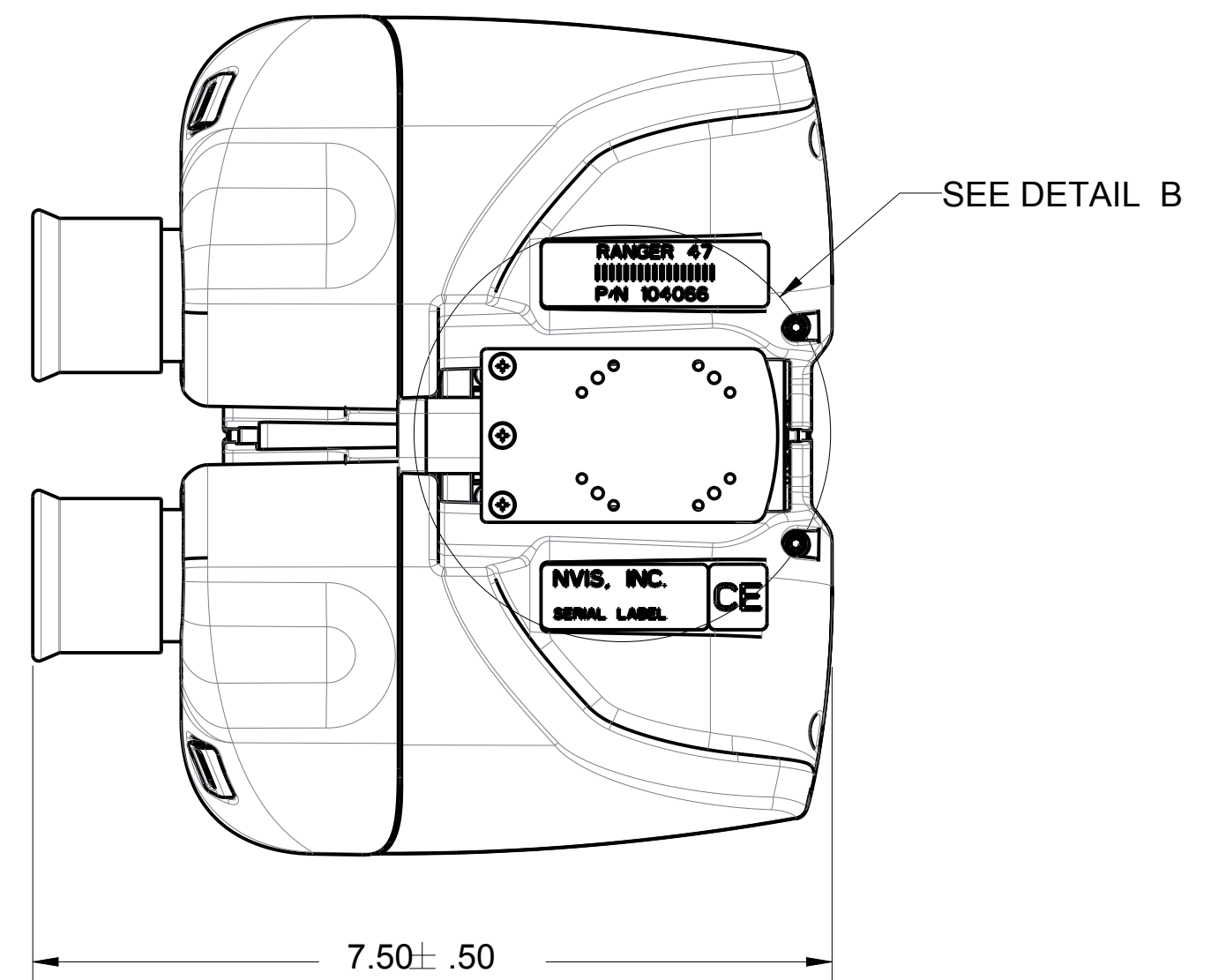
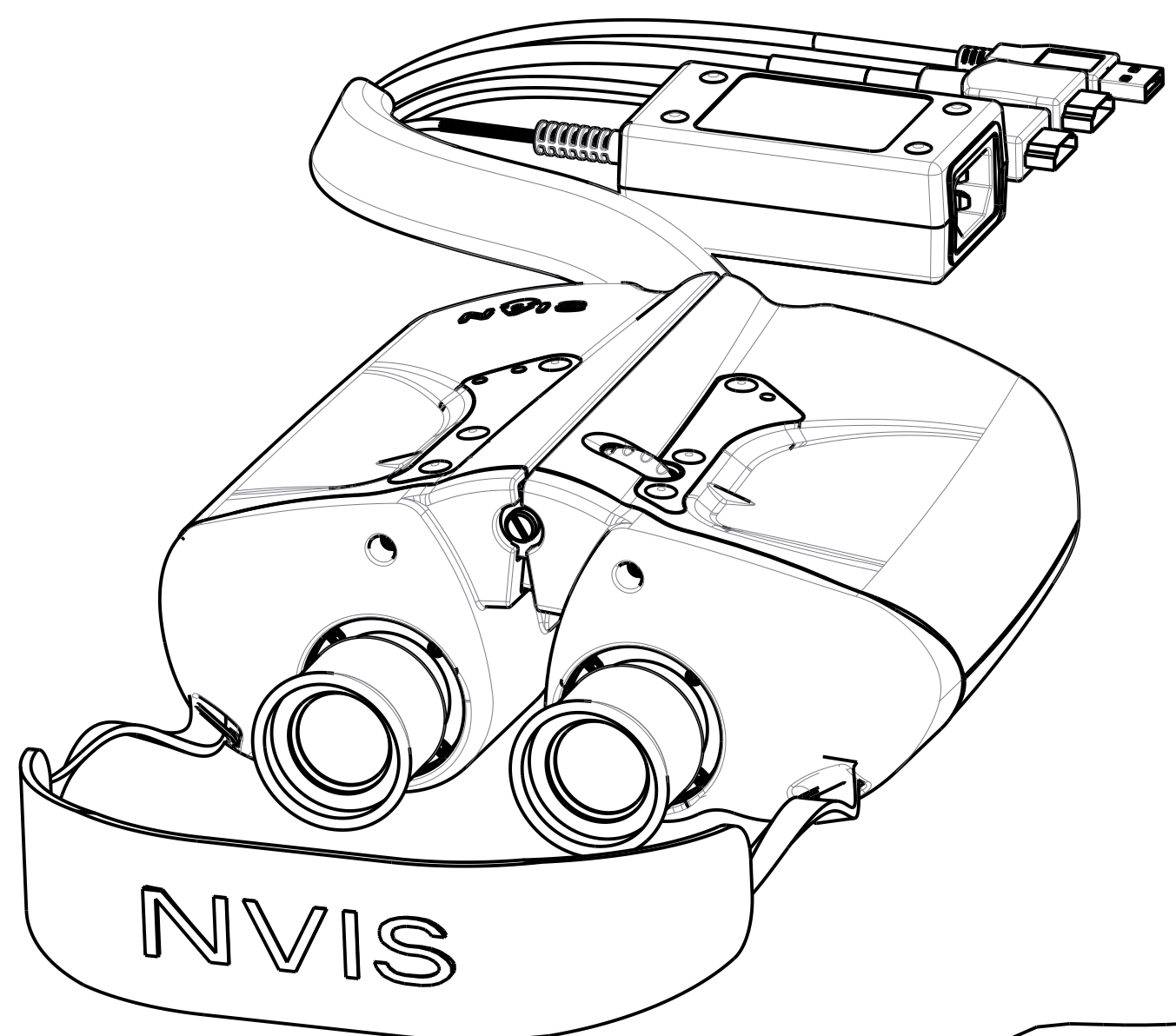
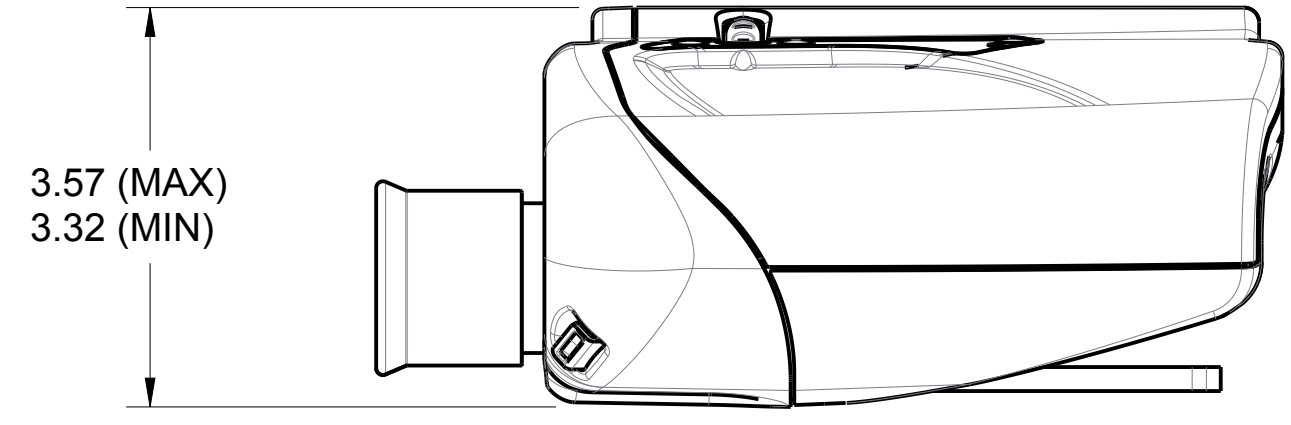
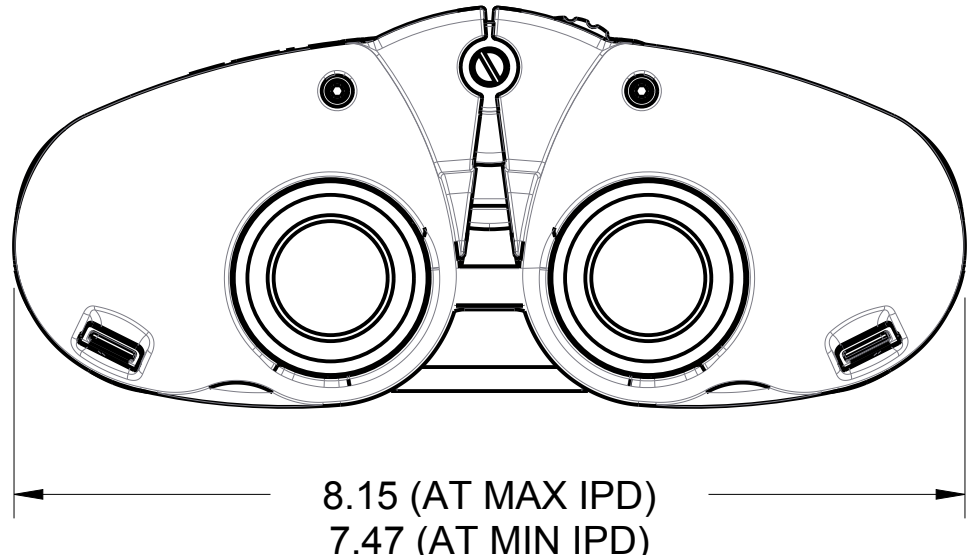


4


3

2

1



DATA SUBJECT TO CHANGE WITHOUT NOTICE.
PLEASE VISIT NVISINC.COM FOR LATEST SPECIFICATIONS.

| | | | |
|---|--|--------------|-----------------|
|  NVIS, Inc. Reston, Virginia 20190, USA | PRODUCT SPECIFICATION DRAWING Ranger | | |
| | PRODUCT SPECIFICATION MATRIX | | PSM-1009 |
| SCALE: 5/8 | DATE: 19-Jun-14 | SHEET 1 of 1 | |

4

3

2

1