

ActiveIO Puck

Product Details

ActiveIO Puck is a standalone 6DoF tracking device with an 8-LED ActiveIO Tag, unique blinking patterns, and up to 12 hours of battery life. Integrated IMU data enables highly precise tracking, even for identical objects and large-scale setups beyond passive systems.



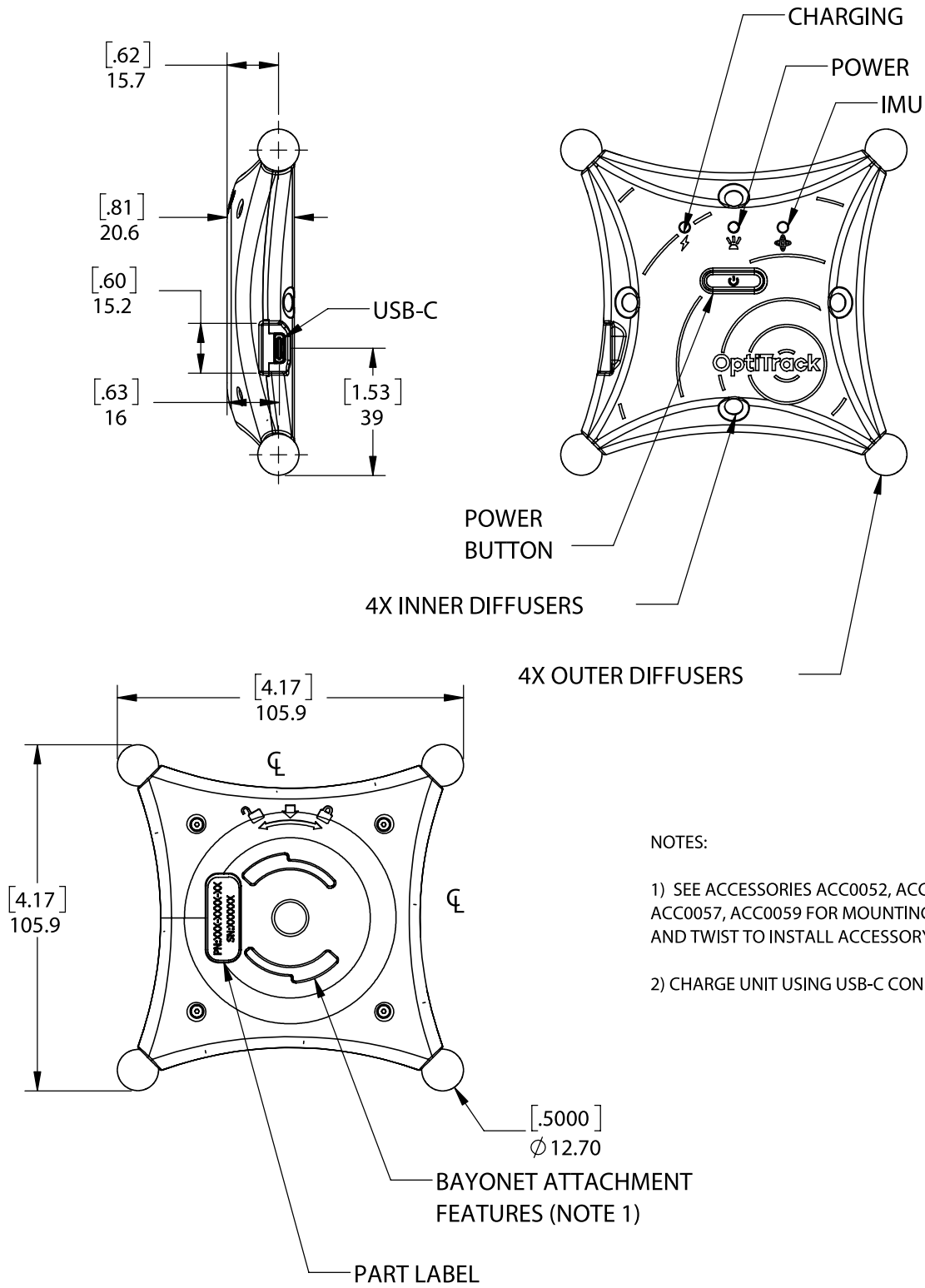
ActiveIO Puck

Specifications

RF	
Frequency	2.4 Ghz
FCC	CISPER 32 CLASS A/2.4GHz Intentional Radiator
FCC ID	XPYNORAB2 PART 15 of FCC Rules
Physical Attributes	
Width	102 mm (4.02 in)
Height	102 mm (4.02 in)
Depth	20.6 mm (0.81 in)
Weight (includes lens)	99.8 grams (0.22 lbs)
Base Materials	Polymer
Color	Black Body, White Defusers
Electrical Attributes	
Power Input	Battery / 5v USB (Charging Only)
Battery Life	18 hr (Idle), 13.5 hr (Paired), 4.5 hr (Always On)
Power Draw (@PSE)	100 mA (Idle), 150 mA (Paired), 430 mA (Always On)
Connector	USB-C (Battery Charging & Power Only)
Data Architecture	
Communication	RF
Protocol	OptiTrack Proprietary
Status Indicators	
Numeric LED	N/A
On/Off	Button
Full Color Health and Activity LED Bar	No
Activity LEDs	3X
Mounting	
Type & Qty	Bayonet (Multiple Mounting Fixtures)
Environment	
IP Rating	IP4X
Operational Temperature	5-50°C
Charging Temperature	5-40°C
Storage Temperature	-40-70° C
RoHS Compliant	Yes
CE	Yes
UL/CSA	CSA Only

ActiveIO Puck

Technical Drawing



NOTES:

- 1) SEE ACCESSORIES ACC0052, ACC0053, ACC0054, ACC0055, ACC0056, ACC0057, ACC0059 FOR MOUNTING USING BAYONET FEATURE. PUSH AND TWIST TO INSTALL ACCESSORY.
- 2) CHARGE UNIT USING USB-C CONNECTOR