

ActiveIO Wand

Product Details

ActiveIO Calibration Wand is a rigid, lightweight calibration tool built from aluminum and carbon fiber, ideal for medium to large volumes. Its foldable design allows for easy storage, while synchronized LEDs improve visibility and an optional always-on mode supports passive-style calibration.



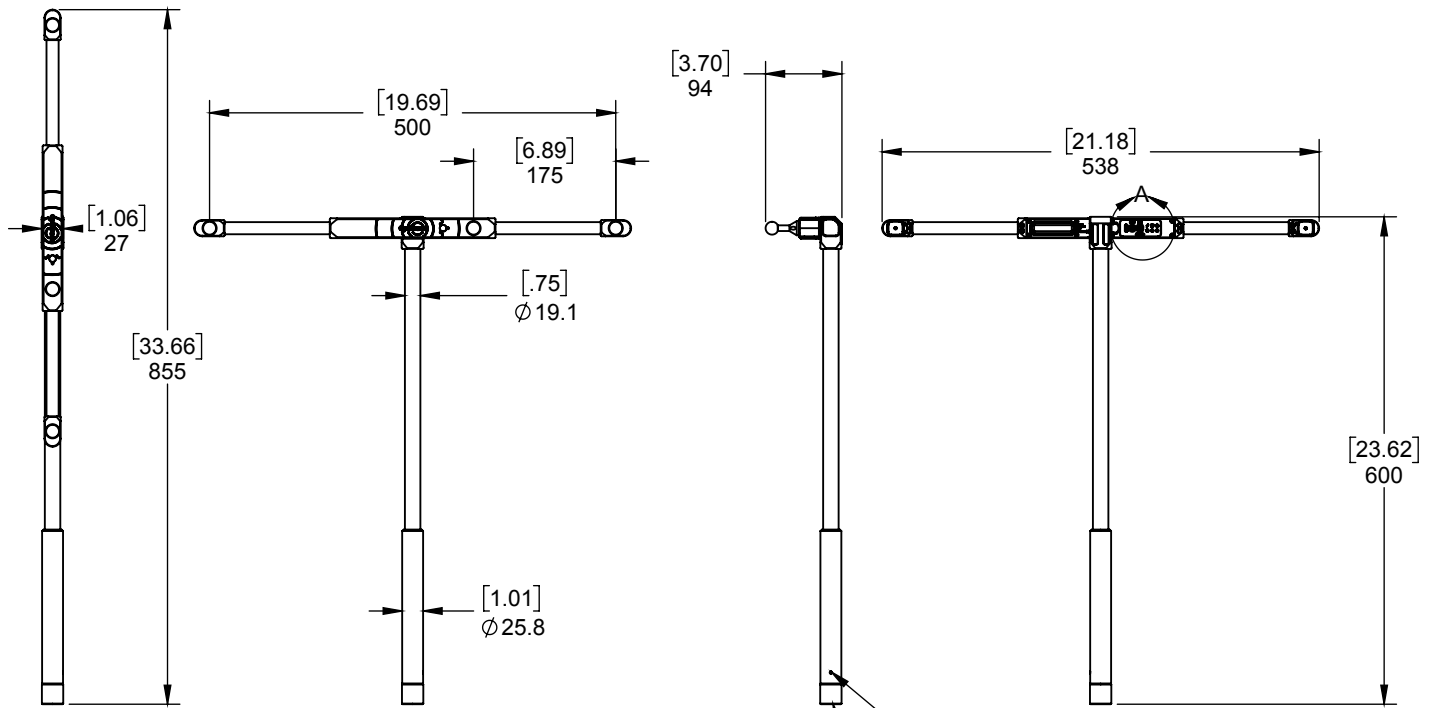
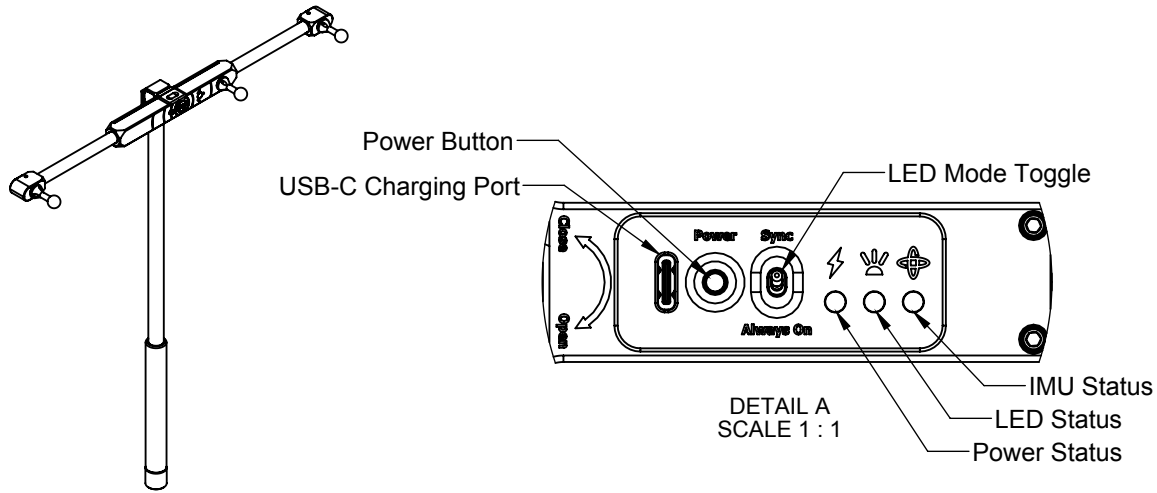
ActiveIO Wand

Specifications

RF	
Frequency	2.4 Ghz
FCC	CISPER 32 CLASS A/2.4GHz Intentional Radiator
FCC ID	XPYNORAB2 PART 15 of FCC Rules
Physical Attributes	
Width	538 mm (21.2 in) Open, 27 mm (1.1 in) Closed
Height	600 mm (23.6 in) Open, 855 mm (33.7 in) Closed
Depth	94 mm (3.7 in)
Weight	0.7 kg (1.6 lb lbs)
Base Materials	Anodized Aluminum, Carbon Fiber, Polycarbonate
Color	Black Body, White Defusers
Electrical Attributes	
Power Input	Battery / USB PD (Charging)
Battery Life	175 hr (Idle), 17 hr (Synced), 8 hr (Always On)
Power Draw (@PSE)	40 mA (Idle), 400 mA (Paired), 860 mA (Always On)
Connector	USB-C (Battery Charging & Power Only)
Data Architecture	
Communication	RF
Protocol	OptiTrack Proprietary
Status Indicators	
Numeric LED	Yes
On/Off	Yes
Full Color Health and Activity LED Bar	Yes
Activity LEDs	Up - Synchronizing, Down - Always On
Mounting	
Type & Qty	N/A
Environment	
IP Rating	IP4X
Operational Temperature	5-50°C
Charging Temperature	5-40°C
Storage Temperature	-40-70° C
RoHS Compliant	Yes
CE	Yes
UL/CSA	CSA Only

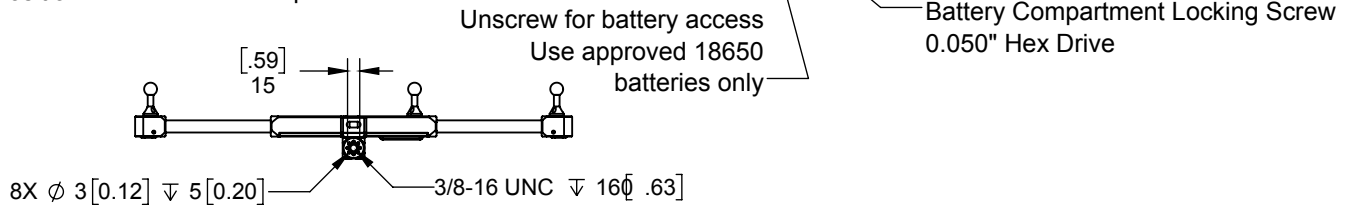
ActiveO Wand

Technical Drawing



Closed Position

Open Position



All specifications are subject to change without notification.

© 2025 NaturalPoint Inc. dba OptiTrack. All rights reserved. NaturalPoint, OptiTrack, Motive, trademarked slogans and logos are the property of NaturalPoint. All other product names are trademarks or registered trademarks of their respective companies 01.26

OptiTrack